



CUSTOM MADE WASHROOM SOLUTIONS



Hive Lock

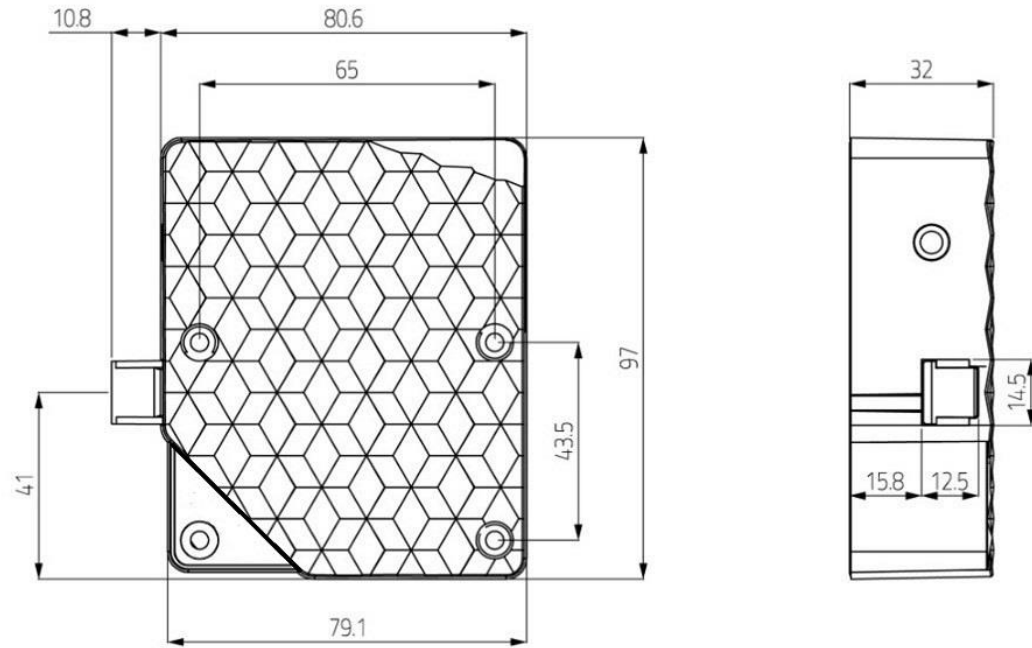
Hive Lock

Product Overview



Hive Lock

Technical Drawing



Hive Lock

RFID Cards



Mifare User Card:



Mifare Master Card



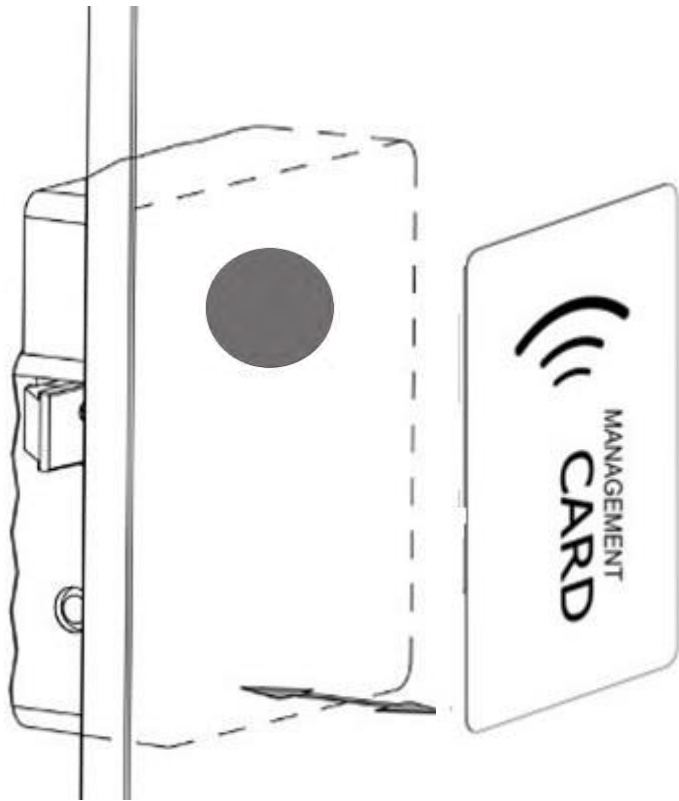
Mifare Management Card:



Mifare Setting Card:

Hive Lock

Management Card

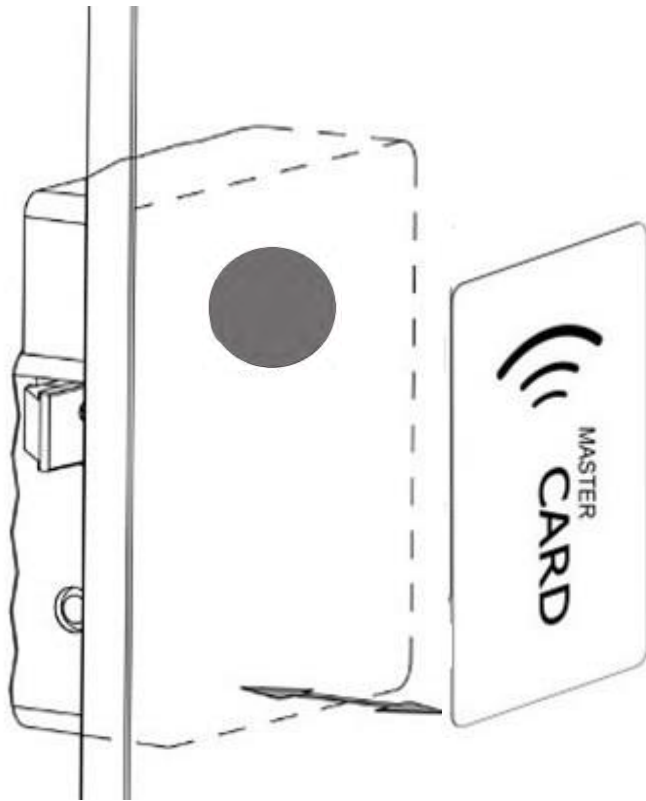


Functions:

- Authorise and Delete Master cards.
- Allow read lock status and events.

Hive Lock

Master Card

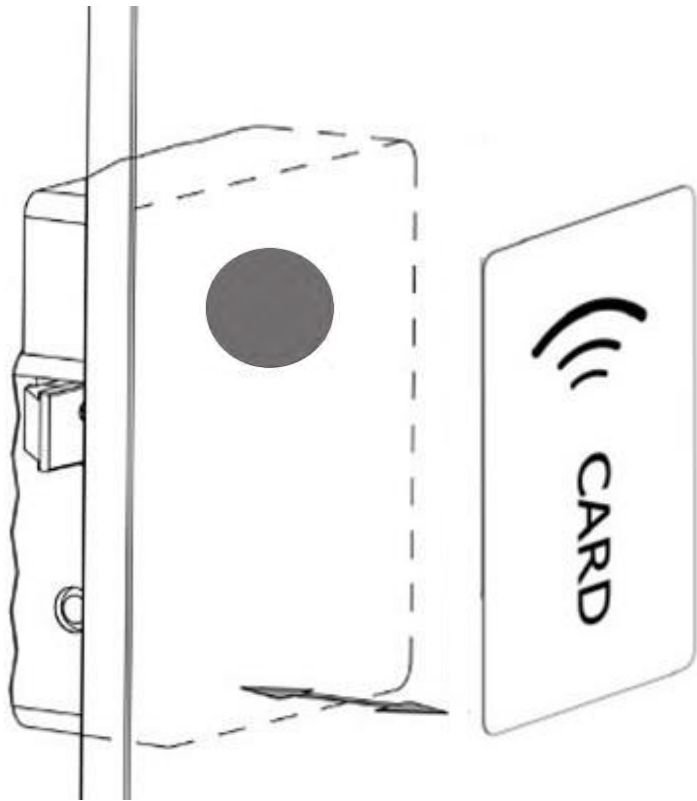


Functions:

- Inspection opening mode
- Delete User cards.
- Reset User cards (back to blank function).

Hive Lock

Multi-User Card



Functions:
Open / Close Locker

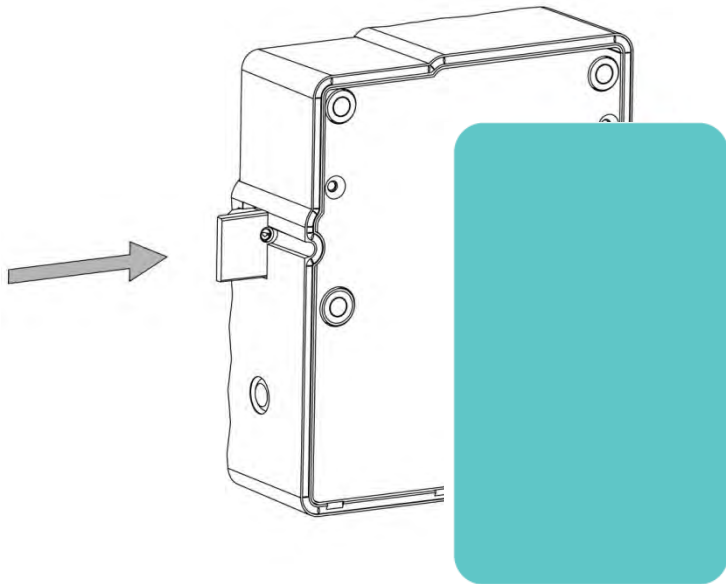
Hive Lock

Operating Instructions



Hive Lock

Master Card - Operating Instructions



Inspection Mode

Step 1

Present the Master card (ONLY ONCE) to the lock and wait 5 seconds.

After a long beep the lock will open automatically for 30 seconds.
After 30 seconds the lock will return to the close position.

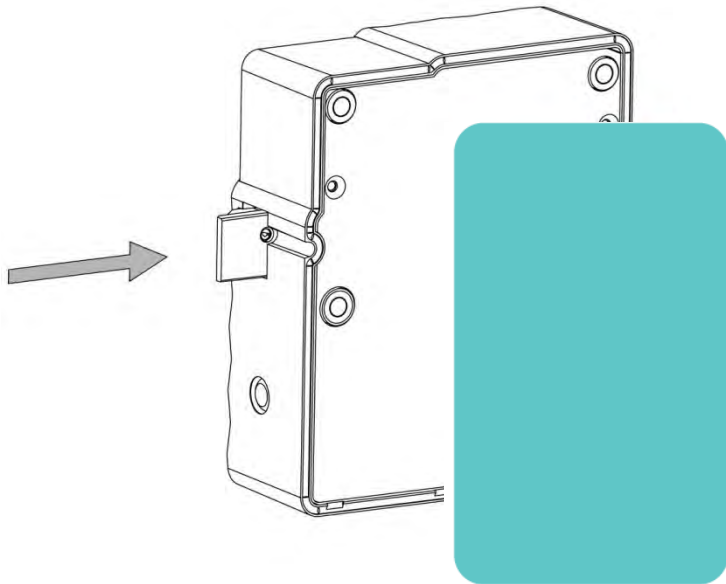
NB

The User Card is not deleted during this Inspection Mode



Hive Lock

Master Card - Operating Instructions



Delete User Card

Step 1

Present the Master card four times to the lock and wait 5 seconds.

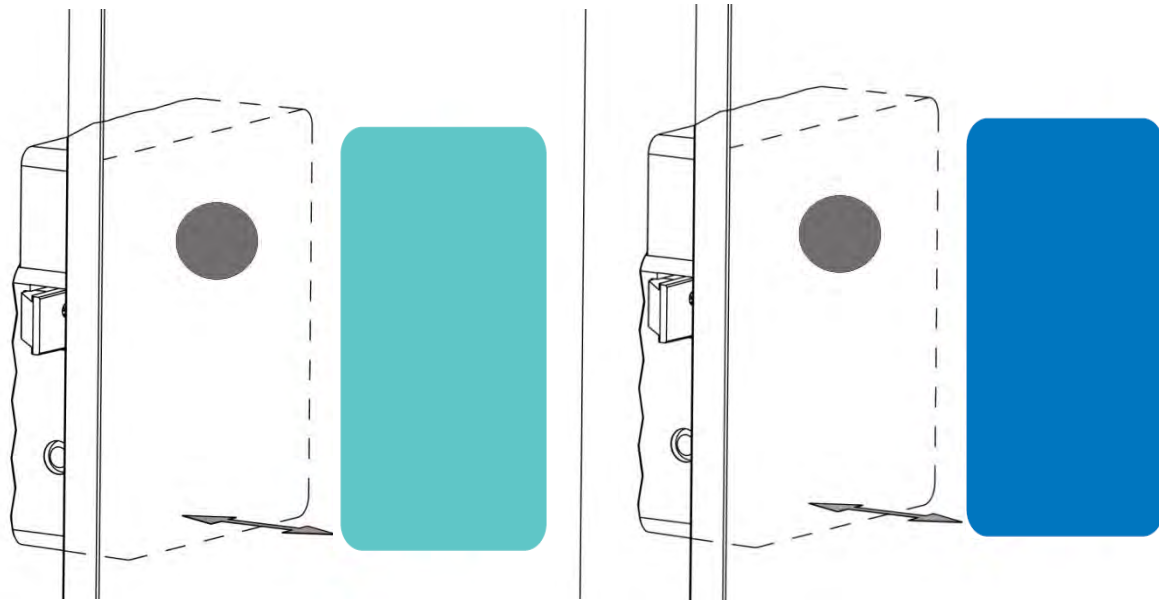
You will hear four short beeps and the User Card will be deleted. At the same time the lock will automatically open.

The lock is back in the reset mode, ready for a New User.



The Hive

Master Card - Operating Instructions



Reset User Card

Step 1

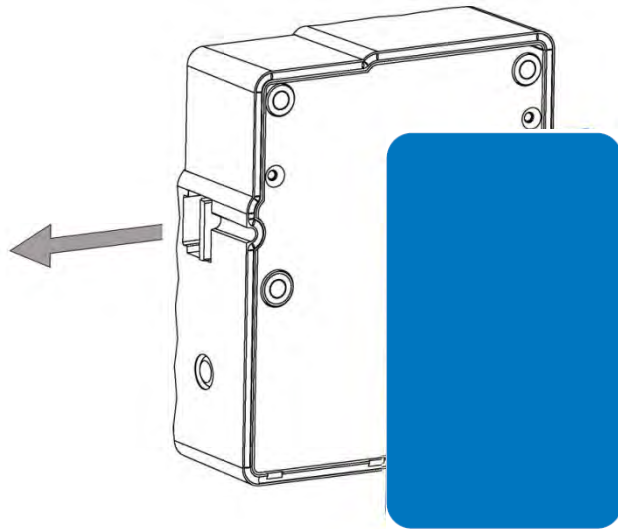
Present the Master card five times to the lock and then present the User Card.

You will hear five short beeps as you present the User Card.

The User Card will be reset.

Hive Lock

User Card - Operating Instructions



The Locker is not occupied and the shoot bolt is inside the lock.

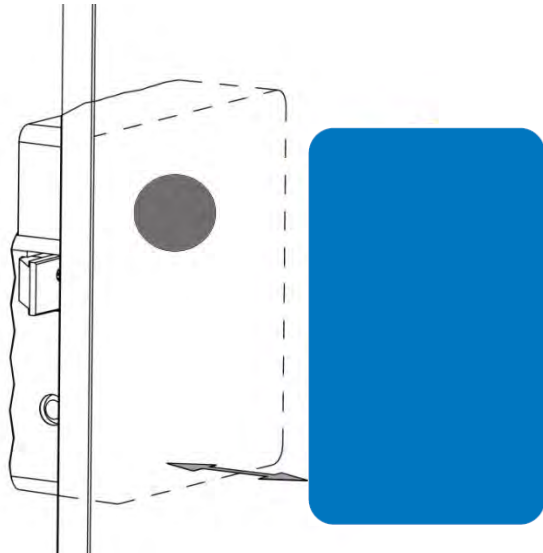
Step 1
Present the User Card to the Lock

User Card
OK - Long Beep
Not OK – 3 Beeps



Hive Lock

User Card - Operating Instructions



The shoot bolt will extend out, moving to the locked position.

Step 3

The Lock is ready to close and secure the locker shut

Step 4

You can now close the locker door

Please Note:

The **Hive** and User card are now linked

The User card will not open or close another lock whilst it is linked to this **Hive**



Hive Lock

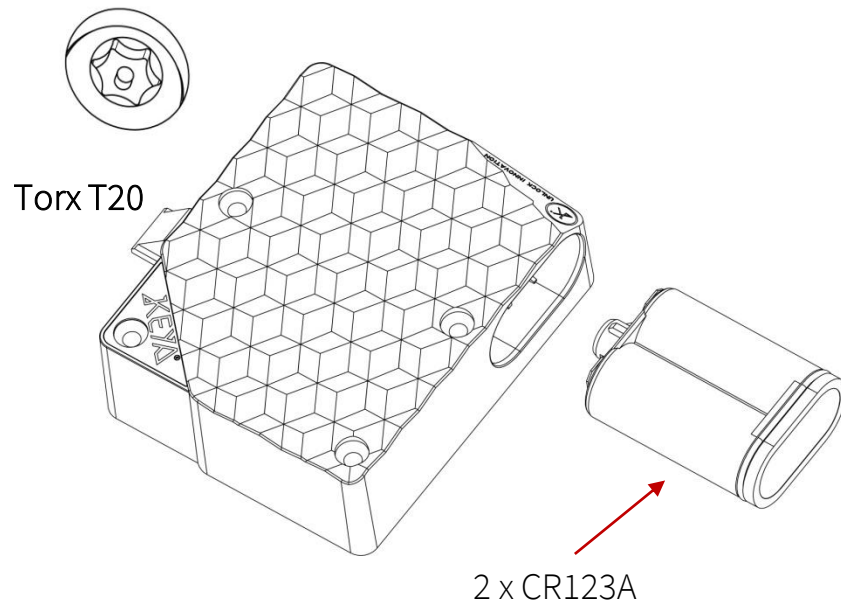
Battery Information



Hive Lock

Battery Replacement

Batteries replacement



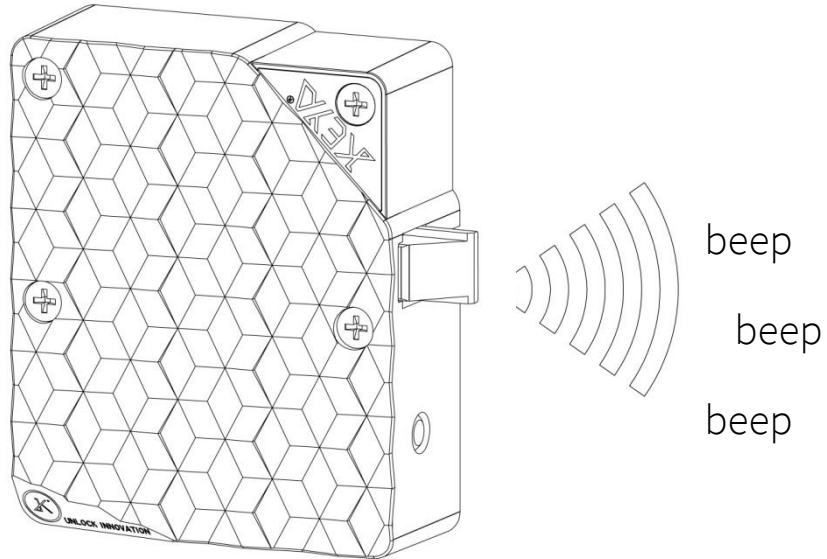
To release the battery holder turn the T20 screw.

PRESS the screw's head till the battery holder rises out.

Once the batteries have been replaced, push the battery holder back into position and tighten the screw.

Hive Lock

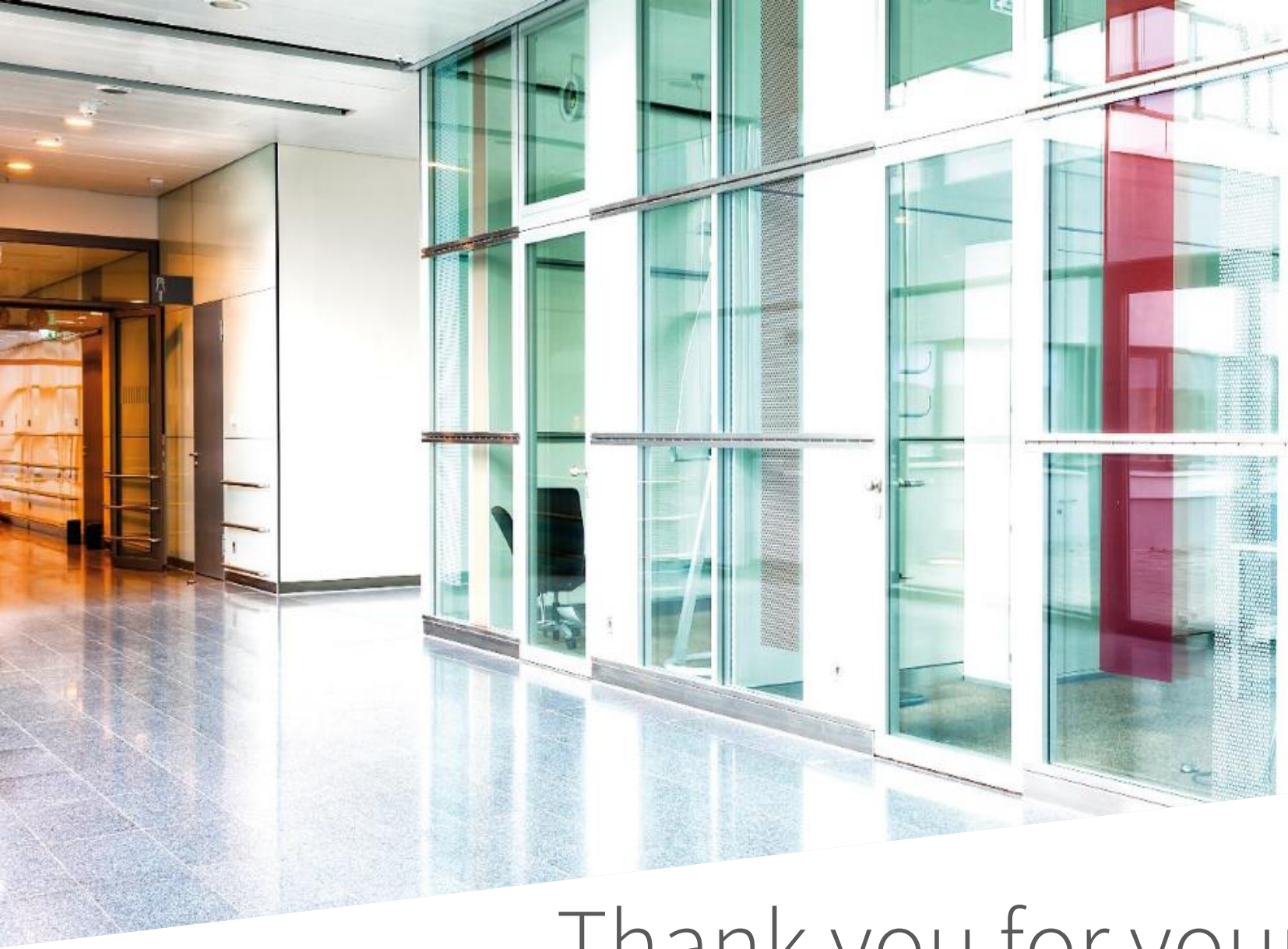
Battery Level Warning



The lock emits beeps repeatedly and does not close.

The battery level is very low and needs to
Be replaced before it will function correctly.

Please replace the battery.



SKIRMETT WASHROOMS



CUSTOM MADE WASHROOM SOLUTIONS

Thank you for your attention